

Australian Refined Diagnosis Related Group Classification System (AR-DRG). AR-DRG is a patient classification scheme based on ICD-10-AM codes. It provides a way of grouping the patients treated in a hospital according to clinical characteristics and resource use. AR-DRG definitions manuals are published by the Commonwealth Department of Health and Ageing and distributed by the NCCH.

Development of the AR-DRG classification is on-going. Currently, a new version is released every two years. It has been developed to classify acute admitted patient episodes in public and private hospitals. It has been produced by the Australian Government Department of Health & Ageing (DoHA), in consultation with the Clinical Casemix Committee of Australia (CCCA), Clinical Classification and Coding Groups, the National Centre for Classification in Health, State and Territory health authorities, and other organisations.

- [AR-DRG version 4.0](#) created the AR-DRG platform for the introduction of ICD-10-AM, which was released as version 4.1. It uses ICD-9-CM diagnosis and procedure codes and has the same ADRG and DRG structure as Versions 4.1 and 4.2. Records were coded in ICD-9-CM between 1991 and 1998.
- [AR-DRG version 4.1](#) was released in December 1998. It incorporates the first edition ICD-10-AM codes, and marked the change to ICD-10-AM diagnosis and procedure codes. The ADRG and DRG structure is the same as Version 4.0.
- [AR-DRG version 4.2](#) was released in September 2000. It is a minor update to the classification and incorporates the second edition ICD-10-AM codes. The ADRG and DRG structure is the same as Versions 4.0 and 4.1.
- [AR-DRG version 5.0](#) was released in September 2002. It is a major update to the classification and incorporates the third edition ICD-10-AM codes. It incorporates major changes to MDC 14 (obstetrics), new same-day DRGs and revised splits in a number of Adjacent DRGs based on analysis of patient-cost data.
- [AR-DRG version 5.1](#) was released in October 2004. It is a minor update to the classification and incorporates the fourth edition ICD-10-AM codes. The ADRG and DRG structure is the same as Version 5.0.
- [AR-DRG version 5.2](#) was released in September 2006. It is a minor update to the classification and incorporates the fifth edition ICD-10-AM codes. The ADRG and DRG structure is the same as Versions 5.0 and 5.1.
- **AR-DRG version 6.0** is scheduled for release in September 2008. It is a major update to the classification and incorporates the sixth edition of ICD-10-AM codes.

AR-DRG

Written by Dr. Hazem El-Oraby

Monday, 12 May 2008 20:58 - Last Updated Monday, 12 May 2008 21:01

Hierarchical Structure of the AR-DRG Classification System

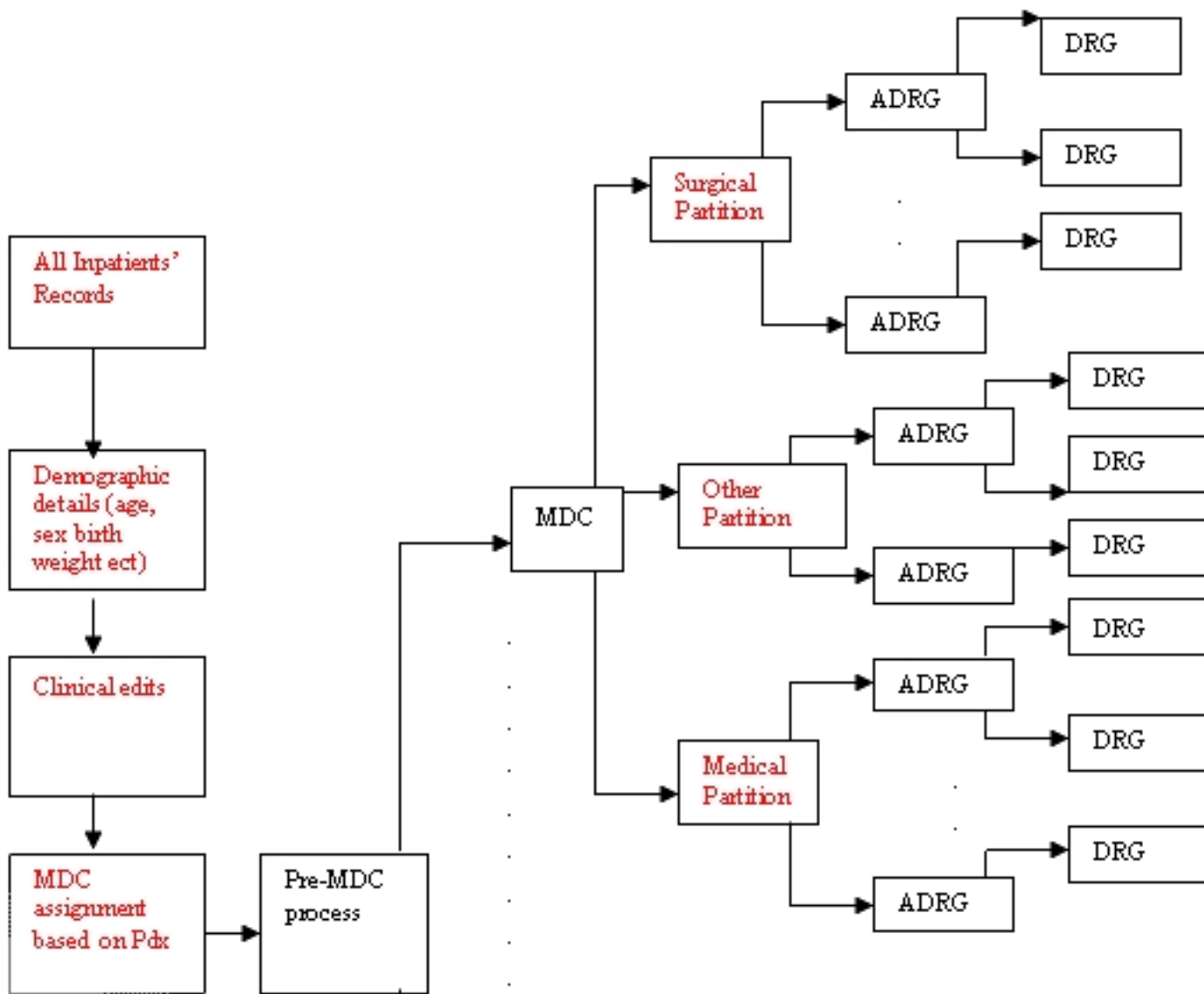
A hierarchal approach is used within the AR-DRG Classification system for determining the most appropriate AR-DRG to be allocated to a separation.

The following diagram presents a visual perspective of the hierarchal approach used when determining an AR-DRG.

AR-DRG

Written by Dr. Hazem El-Oraby

Monday, 12 May 2008 20:58 - Last Updated Monday, 12 May 2008 21:01



DRG Code Manual 95 MDCs Diagnostic Outpatient (MDC) of 8 pre-MDC categories and 400 principal diagnosis categories. <http://www.ozhba.gov.np/manus/gagsm/31330Open>

